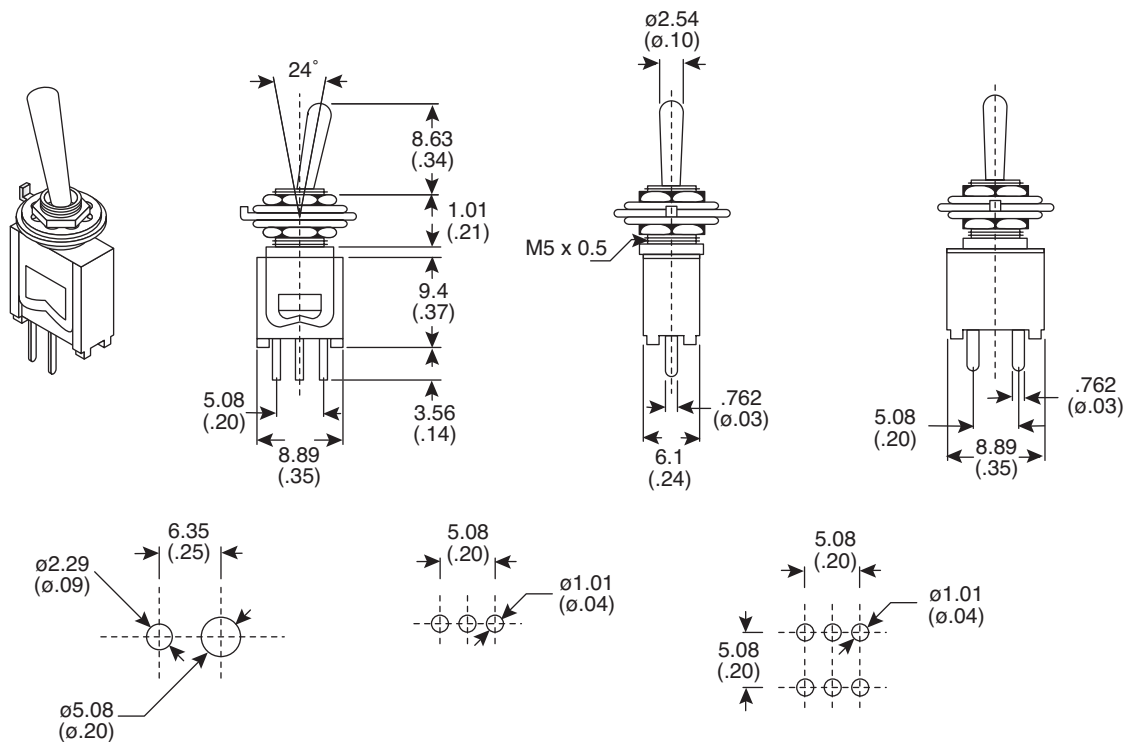


Dimensions: mm (In.)



Electrical Specifications:

- Rating: .3A/125VAC (*.3A/30VDC)
- Insulation resistance: 100M Ω /500VDC
- Dielectric strength: 1,000VAC for 1min. (*500VAC)
- Contact resistance: 20m Ω @ 2.5VDC

Materials:

- Contacts & terminals: gold plated

Mouser Stock No.	Type	Circuit
10TC405	SPST	ON-OFF
10TC410	SPDT	ON-ON
* 10TC412	SPDT	ON-OFF-ON
10TC415	DPDT	ON-ON
* 10TC418	DPDT	ON-OFF-ON

Sub-Miniature Toggle Switches

10TC405, 10TC410, 10TC412, 10TC415, 10TC418

